



PORTABLE AUXILIARY AIR TANKS

OWNER'S MANUAL

**AUX05
AUX05A
AUX10**



TABLE OF CONTENTS

INTRODUCTION

IMPORTANT SAFETY INSTRUCTIONS

COMPONENTS

PRE-OPERATION CHECKLIST

- Package Contents
- Assembly
- Inspect for Damage
- Save Packaging

OPERATION

MAINTENANCE

- Draining the Air Tank
- Testing for Leaks

WARRANTY

INTRODUCTION

WARNING

This manual contains important instructions for operating this product. For your safety, and the safety of others, be sure to read this manual thoroughly before operating the product.

Failure to properly follow all the instructions and precautions can cause you and others to be seriously hurt or killed.

Thank you for purchasing a California Air Tools Product.

Please contact us if you have any questions.

Record the model and serial numbers indicated on your products nameplate:

Model No. _____

Serial No. _____

Date of Purchase: _____

Store/Dealer: _____

WARNING



EXPLOSION

Exercise caution when using pressurized air.

To prevent injury and for your general safety, only use high-pressure hoses, fittings and couplings designed for use with air compressors.

Inspect all hoses, fittings and couplings for leaks and wear. When leaks and wear are detected, stop use and replace those items immediately. Do not repair.

Never leave pressurized air in the air tank when performing maintenance.

Never leave the air compressor unattended with the power supply in use and the air hose connected.

How to find a local service center:

Even quality built equipment might need service or repair parts. Contact the California Air Tools Customer Service Department:

Phone: 1-866-409-4581

Online: WWW.CALIFORNIAAIRTOOLS.COM

Please provide the information below:

Model number and Serial number and specifications shown on the Model number/Serial number plate.

Part number or numbers shown in the parts list section of the owner's manual.

A brief description of the trouble with the product.

Do not return your item for service or parts to the store/dealer where purchased.

IMPORTANT SAFETY INSTRUCTIONS

Safety Messages & Signal Words:

⚠ DANGER

Indicates an immediate hazardous situation which, if not avoided, will result in death or serious injury to the operator or to bystanders.

⚠ WARNING

Indicates a potentially hazardous situation which, if not avoided, could result in death or serious injury to the operator or to bystanders.

⚠ CAUTION

Indicates a potentially hazardous situation which, if not avoided, may result in moderate or minor injury to the operator or to bystanders.

NOTICE

Indicates a situation which, if not avoided, may result in damage to product components or other property.

⚠ WARNING



EXPLOSION

Improper care could lead to the air tank bursting or exploding.

Drain air tank daily or after each use to prevent moisture buildup in the air tank.

Rust can weaken the air tank and cause leaks or bursting. If rust is detected, replace tank immediately. Do not try to repair the air tank by welding, drilling or modifying it in any other way. These modifications can weaken the air tank and cause a hazardous condition.

If air tank develops a leak, replace the air tank immediately. Never repair, weld or make modifications to the air tank or its attachments.

Never make adjustments to the factory-set pressures.

Never exceed manufacturer's maximum-allowable pressure rating attachments.

Because of extreme heat, do not use plastic pipe or lead tin solder joints for a discharge line.

⚠ WARNING



RISK TO BREATHING

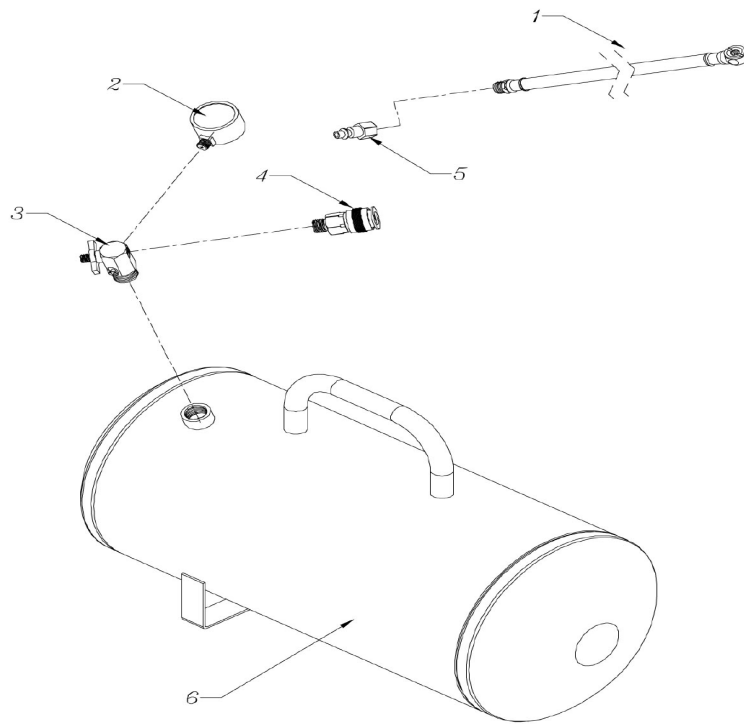
Dust or dust-like particulates caused by power-sanding, sawing, grinding, drilling or any other construction-like activities can contain contaminants that are harmful to breathe.

Always use your air compressor in a well-ventilated and clean area.

Never breathe the air that comes directly out of the air compressor or air hose. This air is not suitable for breathing.

Always wear approved safety equipment. When performing dust-creating activities, securely wear properly-fit face masks or respirators.

If you feel ill from breathing while operating your air compressor, stop and seek medical attention immediately.



NO.	Description	NO.	Description	NO.	Description
1	Air Hose and Air/Tire Chuck	21		41	
2	Pressure Gauge	22		42	
3	Air Valve and Air Valve Knob	23		43	
4	1/4" Female Universal Quick Connector	24		44	
5	1/4" Male Universal Quick Connector	25		45	
6	Air Tank	26		46	
7		27		47	
8		28		48	
9		29		49	
10		30		50	
11		31		51	
12		32		52	
13		33		53	
14		34		54	
15		35		55	
16		36		56	
17		37		57	
18		38		58	
19		39		59	
20		40		60	

PRE-OPERATION CHECKLIST

Package Contents & Assembly

Models: AUX05, AUX05A, AUX10

Package contents:

Air Tank
1/4" Female Universal/Industrial Quick Connector
1/4" Male Universal/Industrial Quick Connector
Air Hose & Air/Tire Chuck
Pressure Gauge
Air Valve & Air Valve Knob
Owner's Manual

Assembly:

Install the 1/4" Male Universal Quick Connector onto the Air Hose.

Take the 1/4" Male Universal Quick Connector and push into the 1/4" Female Quick Connector located on the Air Valve.

Inspect for Damage

Before using the air tank, make sure the air tank is not damaged, inspect all parts for damage, and check that all pipes are firmly connected.

Do not use the air tank if any damage is found. If damaged, contact California Air Tools Customer Service Department 1-866-409-4581

Save Packaging

IMPORTANT: Save all outside packaging in case you ever need to return the product for service or repair.

Operation

This air tank is designed to contain air pressures of to 125 PSI. This air tank is intended only for use as a portable supply of compressed air for use in inflating tires, sports balls, inflatable and as a source of air for air tools.

Do Not Over Inflate or Over Pressurize this tank or harm may occur. Do not exceed 125 PSI.

Fill the air tank by connecting the 1/4" Male Universal Quick Connector (on the Air Hose) to an air compressor. Attach the Air Chuck (on the air hose) to the Air Valve on the tank to pressurize the air tank.

To use air, push the 1/4" Male Universal Quick Connector (on the Air Hose) into the 1/4" Female Universal Quick Connector on the Air Valve.

Open the air valve by turning the red air valve knob counter clockwise pressurizing the air hose. Your tank is ready for use.

MAINTENANCE

Draining the Air Tank

The frequency at which you should drain the air tank depends on the environmental conditions and the amount of operating time logged. The average draining frequency is every day of use.

1. Point the safety valve AWAY FROM YOUR BODY when releasing the air
2. Use the pull ring on the safety valve to release any pressure inside the tank before draining the tank.
3. Invert the tank with the Air Valve facing downward and pull the ring on the safety. This will allow any water to escape from the tank..
4. Draining the air tank protects parts from rust and corrosion. Rusty water can appear.

Testing for Leaks

Make sure all connections are tight.

To test for small leaks, spray a small amount of soapy water on the area suspected of leaking. If the soap bubbles, replace the broken part.

Cleaning

Clean items with a soft brush, or wipe with a moistened cloth using a biodegradable solvent.

Do not use flammable liquids such as gasoline or alcohol. Always keep parts clean from dirt and dust for better performance.

⚠ WARNING



FLYING OBJECTS

Flying objects can cause injury to the eyes, head and other parts of the body.

Air-powered equipment and power tools are capable of propelling items (metal chips, fasteners and particulates) at high speed into the air and could result in injury.

Always wear approved head and eye protection.

Never point the air stream at any part of your body, or at another person or animal.

When operating the air compressor, make sure all other people and animals maintain a safe distance.

Do not move the air compressor when the air tank is under pressure.

Never use the air hoses to pull or move the air compressor.

Keep the air compressor on a flat surface.

CALIFORNIA AIR TOOLS INC. LIMITED WARRANTY

This warranty is limited to products distributed by:

California Air Tools, Inc.
8560 Siempre Viva Road, Unit 3
San Diego, CA 92154

Limited Warranty

California Air Tools Inc. will repair or replace, free of charge, to the original retail customer who purchased a California Air Tools, Inc. product from an authorized dealer, distributor or distributor's dealer in North America.

This warranty does not transfer to subsequent owners.

California Air Tools Inc. will repair or replace, at its option, any parts that are proven by an authorized service center to be defective in material or workmanship under normal use during the applicable warranty time period as stated below. This limited warranty covers the cost of the replacement parts and labor for all defects when installed by an authorized service center. Transportation charges are the responsibility of the customer. Any part replaced under warranty becomes the property of California Air Tools Inc.

All parts replaced under warranty will be considered as part of original product, and any warranty on those parts will expire coincident with the original product warranty.

Limited Warranty Periods

Non-commercial / Non-rental (personal use by a retail customer): 1 year parts and labor

The limited warranty period begins on the date of retail purchase by the original purchaser.

Disclaimers, Limitations of Remedies & Exclusions

This warranty gives you specific legal rights, and you may also have other rights which may vary from state to state.

Disclaimer of Other Warranties

To the fullest extent permitted by applicable law, this limited warranty is exclusive and expressly in lieu of any and all other warranties, including, without limitation, any implied warranties of merchantability or fitness for a particular purpose or any other implied warranties that may arise from the course of dealing or usage of the trade. California Air Tools Inc. hereby disclaims and excludes all other warranties. To the extent that California Air Tools Inc. products are consumer products under applicable federal and state law with respect to any customer, the duration of any implied warranties (including but not limited to implied warranties of merchantability or fitness for a particular purpose) are limited to the shortest duration permitted by applicable law or the Limited Warranty period provided herein, whichever is longer.

Limitations of Remedies

California Air Tools Inc. shall not be liable to customer, or anyone claiming under customer, for any other obligations or liabilities, including but not limited to, obligations or liabilities arising out of breach of contract or warranty, negligence or other tort or any theory of strict liability, with respect to the product or California Air Tools Inc. acts or omissions or otherwise. To the fullest extent permitted by applicable law, California Air Tools Inc. shall not in any event be liable for incidental, compensatory, punitive, consequential, indirect, special or other damages, including but not limited to loss of use, loss of income, loss of time, loss of sales, injury to personal property, or liability customer incurs with respect to any other person, or any other type or form of consequential damage or economic loss.

Exclusions

In addition to the foregoing disclaimers, limitations and terms, this limited warranty shall not apply to and does not cover accessories, nor does it cover products that are in any way subject to any of the following:

1. Improper setup, installation or storage.
2. Lack of proper maintenance and service.
3. Accident, damage, abuse or misuse.
4. Abnormal operating conditions or applications.
5. Repair or modification by customer or any third party without written consent of California Air Tools Inc.
6. Use under operating conditions or in applications not recommended by California Air Tools Inc.
7. Normal wear.
8. The use of accessories or attachments not recommended by California Air Tools Inc.
9. Acts of God.

The application of these exclusions will be determined at the sole discretion of California Air Tools Inc.

Registration

Warranty registration with California Air Tools Inc. is required on all products.

Please visit www.californiaairtools.com and register your product using the on-line registration form.

How to Videos

California Air Tools provides "HOW TO VIDEOS" on our website WWW.CALIFORNIAAIRTOOLS.COM.

The "How to Videos" provide valuable information regarding set-up, operation and maintenance.

Please visit our website and view these videos for beneficial information.

Service or Parts

Warranty is also available by keeping and showing your original receipt from the date of purchase to an Authorized California Air Tools Service Center.

For all customer service inquiries call 1-866-409-4581 or visit

WWW.CALIFORNIAAIRTOOLS.COM

Go to the "Customer Service" Tab

Click on "Service & Parts" Button for the Fastest Service.