

**CALIFORNIA AIR TOOLS 60040DCADC Powerful 4.0 Hp Ultra Quiet, Ultra Dry & Oil-Free Air Compressor with 98% Drying System and Automatic Drain Valve**



**60** Gallon

**4** HP Motor

**125** PSI MAX

**10.6** CFM @90PSI

**75** Decibels

**98%** Dry Air

**4.0 HP  
(Rated/Running)**

**60 Gallon ASME  
Certified Steel Air  
Tank with Automatic  
Drain Valve**

**Air Dryer Cartridge  
System - Up to 98%  
Dry Air**

**12.80 CFM @ 40  
PSI**

**10.60 CFM @ 90 PSI**

The CALIFORNIA AIR TOOLS 60040DCADC Ultra Quiet, Ultra Dry Oil-Free Air Compressor with Air Drying System is designed to be one of the quietest 4.0 Hp air compressors in the industry having only 75 decibels of sound.

**220 Volts / 60 Hertz  
/ Single Phase**



**75 Decibels**

**4 HP Oil-free  
Dual-Piston  
Long-Life  
Motor pump**

**60 Gallon Steel  
Air Tank with  
Air Dryer, Auto  
Drain**

**98% DRY AIR  
(2) 0.01um  
Prefilters**

**248 lbs 220 Volts  
14 Amps**

Tank Pressure Gauge

Air Dryer System

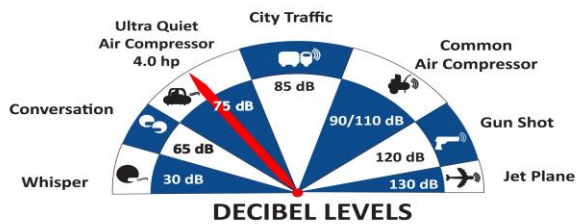
Output Pressure Regulator

Regulated Pressure Gauge

Automatic Drain Valve



The Powerful Twin 2.0 HP (SP-9421-22060) motors operate at only 1680 RPM creating less noise and less wear.



ULTRA QUIET

ONLY 75 DB NOISE LEVEL

The Oil-Free Dual Piston Pump System is engineered for high performance and durability.

The CAT-60040DCADC Air Compressor has a Oil-Free Dual Piston pump designed to have a life cycle before wear of 3000 Plus hours.

The Oil-Free pump allows for use in a variety of temperatures (cold starts) and uneven terrains (no oil in the pump).

The large 60 Gallon ASME Certified Steel Air Tank is just the right size for shop or garage. Good for commercial use.

To dry the air from the air compressor an Aftercooler and 98% Air Dryer are utilized.

The aftercooler is a heat exchanger for cooling the discharge air from the air compressor. The water vapor from the compressed air is condensed into liquid form and pushed into the Air Dryer.

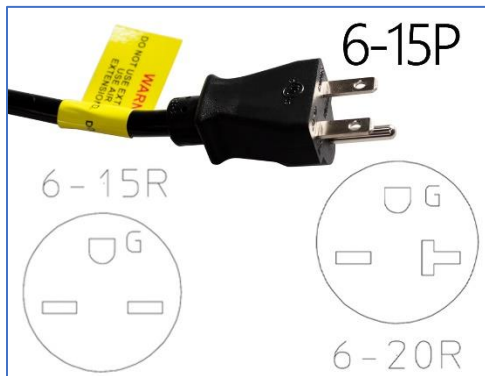
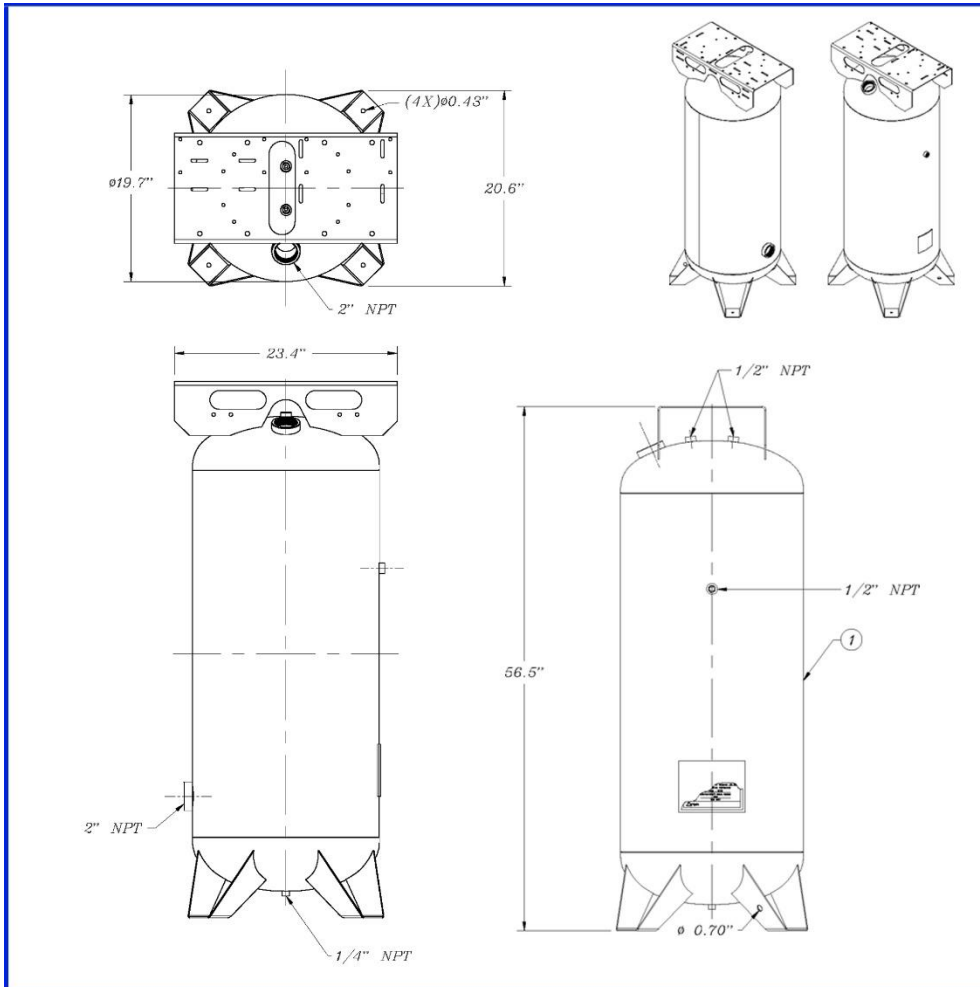
The easy to replace "Spin-On" Air Dryer Cartridge has a regenerating High-Temperature Molecular Sieve Desiccant to dry the air.

This cartridge dryer has a life of 2-years before replacement.

98% AIR DRYER SYSTEM

Canister Air Dryer





---

## FEATURES

- \* **Ultra Quiet** - Only **75 decibels**
- \* Oil-Free Pump (Class 1) - Cleaner air for better tool operation.  
Less maintenance and Costs.
- \* Two pressure control gauges
- \* 0.01 Micron Prefilters (2 total)
- \* 5.0 Micron (Class 2) Air Filter & Regulator with a 3/8" Port
- \* Air Hose Port 3/8"
- \* Condor Pressure Switch
- \* Thermal Overload Protector
- \* 125 PSI Maximum Pressure
- \* 220 Volts / 60 Hertz / Single Phase - (No 208 Volts - if necessary, obtain 208 to 220 voltage booster)
- \* Low Amp Draw - 14 Amps
- \* Time to fill tank from empty to full - 6:30 Minutes
- \* Recovery time from 95 PSI to 125 PSI - 2:00 Minutes
- \* Duty Cycle - 70/30\*
- \* Less heat which dissipates more efficiently.
- \* 60 Gallon ASME Steel Air Tank for Commercial use.
- \* L (25.5") x W/D (29") x H (66.5")
- \* 248 lbs
- \* Air Dryer Cartridge uses a High-Temperature Molecular Sieve Desiccant  
Easy to remove (spin off) and replace every 2 years.
- \* Aftercooler (condenser)
- \* PDP performance range (-20' F. to -51' F.)
- \* Air Quality: ISO 8573 - Class 2.3.1
- \* EZ-1-2321 Auto Drain Valve Factory Installed
- \* 1 Year Limited Warranty
- \* Comes complete (4) Air Filters
- \* Plug Type: Nema 6-15P (fits Nema 6-15R or 6-20R receptacle)
- \* Commercial Use: Refer to State & City Codes
- \* Assembled in USA with global components

For more information and to watch a 60040DCADC product demonstration please visit California Air Tools: <https://www.californiaairtools.com/air-dryer-ultra-quiet-oil-free-air-compressors/cat-60040dcadc/>

*Manufactured in Mexico using global components.*

*MODEL: 60040DCADC*

*PART NUMBER: CAT-60040DCADC*

*[www.californiaairtools.com](http://www.californiaairtools.com)*

*Revision A: 07-2024*