



CALIFORNIA AIR TOOLS 4620AC Powerful 2.0 Hp Ultra Quiet & Oil-Free Air Compressor

4.6 Gallon

2 HP Motor

125 PSI MAX

5.3 CFM @90PSI

70 Decibels



Aluminum Rust-Free Tank
220volts 60hz

2.0 HP
(Rated/Running)

4.6 Gallon Aluminum Tank

6.40 CFM @ 40 PSI

5.30 CFM @ 90 PSI

The CALIFORNIA AIR TOOLS 4620AC-22060 Ultra Quiet & Oil-Free Air Compressor is designed to be one of the quietest 2.0 Hp air compressors in the industry having only 70 decibels of sound.

70 DECIBELS

Industrial Female Quick Connectors

Tank Pressure Gauge

Output Pressure Regulator

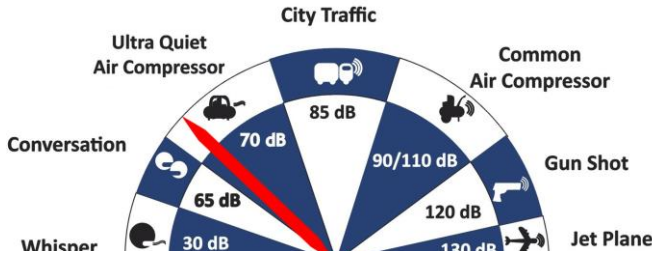
Regulated Pressure Gauge

4.6 Gallon Aluminum Rust-Free Twin Tanks

2 Hp Oil-Free Dual Piston Long-Life Motor-Pump



64 lbs. 220 Volts, 7.5 Amps



The Powerful 2.0 HP (SP-9421) motor operates at only 1680 RPM creating less noise and less wear.

ULTRA QUIET

ONLY 70 DB NOISE LEVEL

The CAT-4620AC-22060 Air Compressor has a Oil-Free Dual Piston pump designed to have a life cycle before wear of 3000 Plus hours compared to other comparable air compressors with life cycles of 500 hours or less.

The Oil-Free pump allows for use in a variety of temperatures (cold starts) and uneven terrains (no oil in the pump).

The large 4.6 Gallon Aluminum Air Tank is only 64 pounds making it very easy to move around the jobsite.

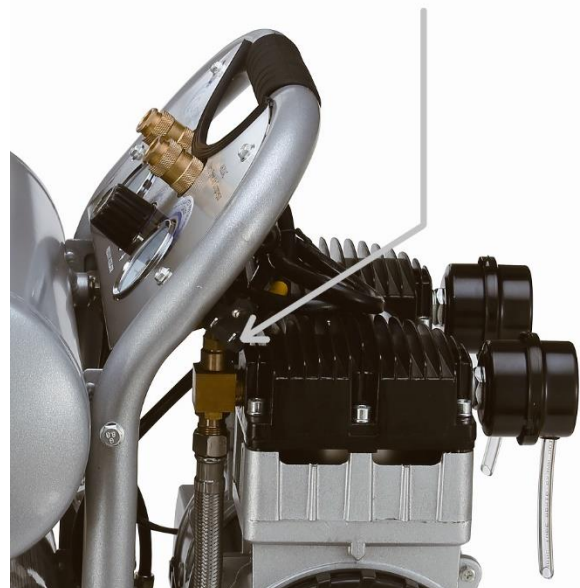
Designed for the person looking for Power, Air Flow, Less Service and Maintenance with at Least 30% Less Noise!

EASY START VALVE

The Easy Start Valve feature allows for an easier start up using less starting amps. The Easy Start Valve releases a small amount of air from the pump at start up to produce a no-load condition allowing the motor to spin freely. This no-load start up requires less amps for an easier start up in cold temperatures.

2

Easy Start Valve



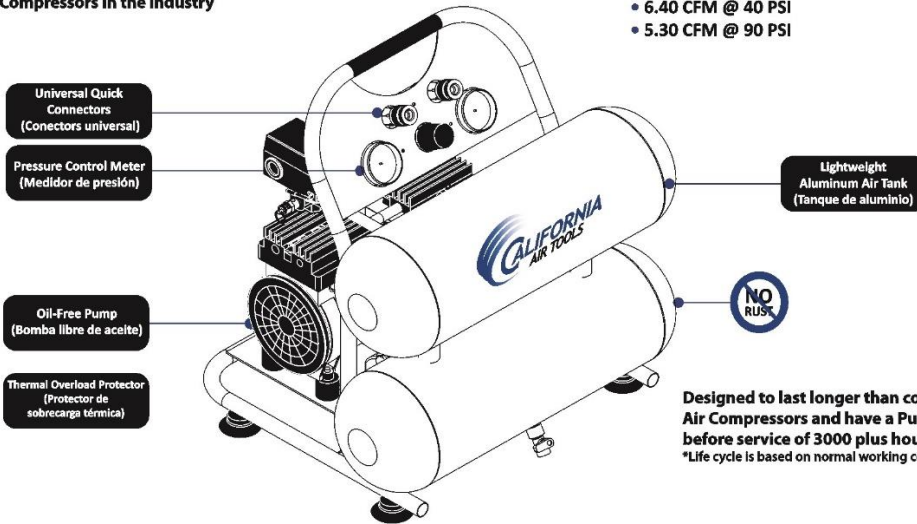


4620AC ULTRA QUIET & OIL-FREE AIR COMPRESSOR

Only 70 Decibels

Designed for High Performance, Reliability and to be one of the Quietest Air Compressors in the industry

- 2.0 HP (Running / Rated) Motor
- 4.6 Gallon Aluminum Tank
- 6.40 CFM @ 40 PSI
- 5.30 CFM @ 90 PSI

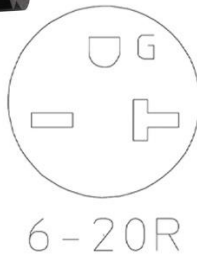
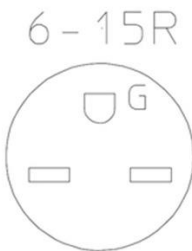


Designed to last longer than competitive Air Compressors and have a Pump life before service of 3000 plus hours.*
*Life cycle is based on normal working conditions

ULTRA QUIET - OIL-FREE - LONG LIFE - LESS MAINTENANCE - LIGHTWEIGHT



6-15P



FEATURES

- * **Ultra Quiet - Only 70 decibels**
- * Oil-Free Pump - Cleaner air for better tool operation.
Less maintenance and Costs.
- * Two pressure control gauges
- * Two - Female industrial "Push to Connect" quick connectors
- * Easy Start Valve - For Less Starting Amperage
- * Thermal Overload Protector
- * 125 PSI Maximum Pressure
- * 220v / 60 hz / Single Phase / (No 208 Volts - if necessary, obtain 208 to 220 voltage booster)
- * Low Amp Draw - 7.5 Amps
- * Generator with 3000 Running Watts
- * Plug Type: Nema 6-15P (fits Nema 6-15R or 6-20R receptacle)
- * Time to fill tank from empty to full - 60 Seconds
- * Recovery time from 95 PSI to 125 PSI - 20 Seconds
- * Duty Cycle - 70/30*
- * Less heat which dissipates more efficiently.
- * Portable & Easy to move around.
- * L (19.1") x W/D (16.7") x H (19.7")
- * 64 lbs
- * 1 Year Limited Warranty
- * Comes complete Two Air Filters
- * Assembled in USA
- * Commercial Use: Refer to State & City Codes

For more information and to watch a 4620AC-22060 product demonstration please visit California Air Tools: <https://www.californiaairtools.com/contractor-grade-ultra-quiet-series-of-air-compressors/2-0-hp-air-compressors/cat-4620ac-22060/>

MODEL: 4620AC-22060
PART NUMBER: CAT-4620AC-22060
Revision A: 07-2024