



CALIFORNIA AIR TOOLS 10020AC Ultra Quiet, Oil-Free 2.0 Hp Lightweight Air Compressor



70 dB Noise Level

ALUMINUM Rust-Free Tank

110v 60hz

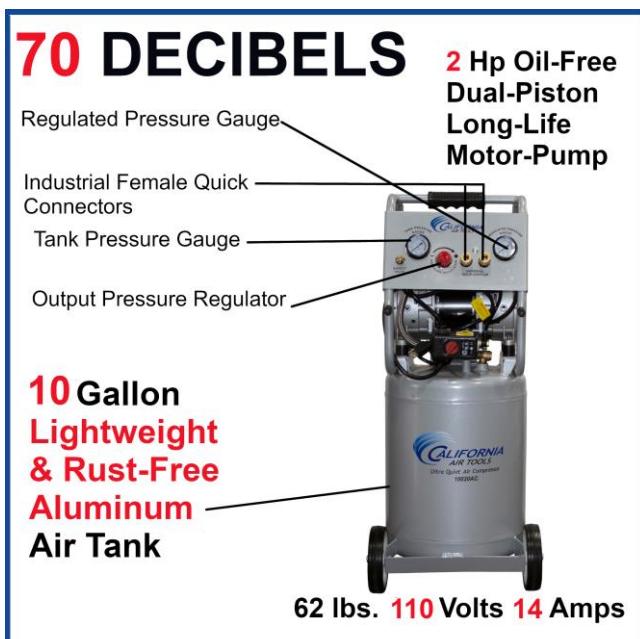
2.0 HP
(Rated/Running)

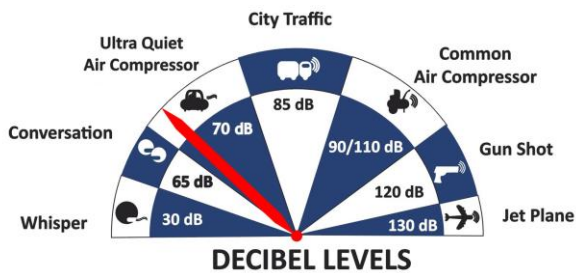
10 Gallon
"Lightweight & Rust-Free"
Aluminum Air Tank

6.40 CFM @ 40
PSI

5.30 CFM @ 90 PSI

The CALIFORNIA AIR TOOLS 10020AC Ultra Quiet & Oil-Free Air Compressor is designed to be one of the quietest 2.0 Hp air compressors in the industry having only 70 decibels of sound.





The powerful 2.0 HP motor operates at only 1680 RPM creating less noise, vibration and creating less wear.

ULTRA QUIET

ONLY 70 DB NOISE LEVEL

The SP Series of Ultra Quiet Air Compressor Motors have been designed to increase duty cycle and allow for longer continuous run times. *

The Oil-Free Dual Piston Pump System is engineered for high performance and durability.

The CAT-10020AC Air Compressor has a Oil-Free Dual Piston pump designed to have a life cycle before wear of 3000 Plus hours compared to other comparable air compressors with life cycles of 500 hours or less.

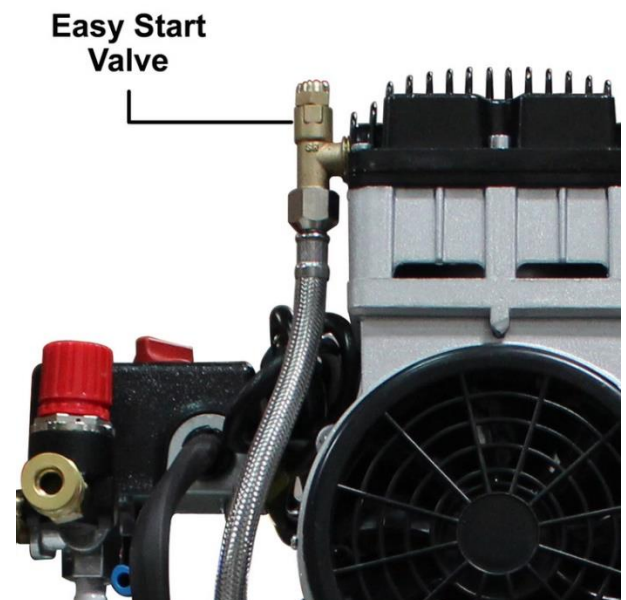
The Oil-Free pump allows for use in a variety of temperatures (cold starts) and uneven terrains (no oil in the pump).

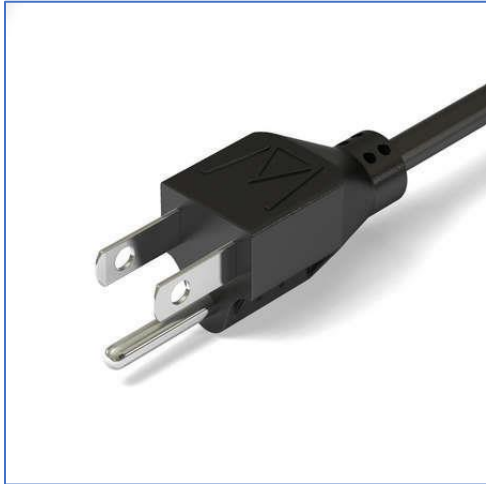
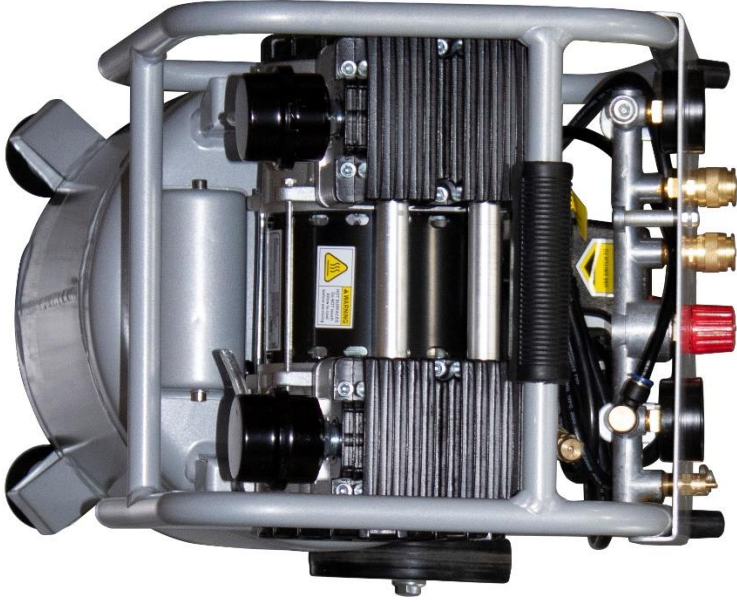
The large 10 Gallon Lightweight (62 lbs) & Rust-Free Aluminum Air Tank with wheels. Makes it very easy to move around the jobsite, shop or garage.

Designed for the person looking for Power, Air Flow, Less Service and Maintenance with at Least 30% Less Noise!

EASY START VALVE

The Easy Start Valve feature allows for a easier start up using less starting amps. The Easy Start Valve releases a small amount of air from the pump at start up to produce a no-load condition allowing the motor to spin freely. This no-load start up requires less amps for a easier start up in cold temperatures.





FEATURES

- * **Ultra Quiet - Only 70 decibels**
- * Oil-Free Pump - Cleaner air for better tool operation.
Less maintenance and Costs.
- * Two pressure control gauges
- * Two - Female industrial "Push to Connect" quick connectors
- * Easy Start Valve - For Less Starting Amperage
- * Condor Pressure Switch
- * Thermal Overload Protector
- * 125 PSI Maximum Pressure
- * 110v / 60 hz
- * Low Amp Draw - 14 Amps
- * Dedicated 15-amp outlet -14-gauge 25ft cord - Min. 5500 Watt Generator
- * Time to fill tank from empty to full - 120 Seconds
- * Recovery time from 95 PSI to 125 PSI - 25 Seconds
- * Duty Cycle - 70/30*
- * Less heat which dissipates more efficiently.
- * 10 Gal. Aluminum (Lightweight & No Rust) Air Tank with Wheels
- * L (13") x W/D (15") x H (36")
- * 62 lbs
- * Non-ASME Air Tank
- * 1 Year Limited Warranty
- * Comes complete with Wheel Kit & Two Air Filters
- * Commercial Use: Refer to State & City Codes

For more information and to watch a 10020AC product demonstration please visit California Air Tools:
<https://www.californiaairtools.com/contractor-grade-ultra-quiet-series-of-air-compressors/2-0-hp-air-compressors/cat-10020ac/>

Manufactured in Mexico using global components.

MODEL: 10020AC

PART NUMBER: CAT-10020AC

www.californiaairtools.com

Revision A: 07-2024