



CALAIR 60037BD 3.7 Hp 60 Gallon ASME Tank Air Compressor Oil-Lubricated Belt Driven Pump System



CONTINUOUS RUNNING up to 8 hours at 90 PSI

3.7 Hp Electric Motor

Belt-Driven Pump (2 Cylinder, Oil Lubricated)

60 Gallon ASME Steel Air Tank

11.5 CFM @ 90 PSI
13.6 CFM @ 40 PSI

208v-230v / 60 Hertz / Single Phase

The CALAIR 60037BD Air Compressor has a Pump System that is designed to have a life cycle before maintenance/service of 5,000 to 10,000 hours of usage.



The CALAIR 60037BD Continuous Run 3.7 Hp Air Compressor is designed for **CONTINUOUS RUNNING** up to 8 hours at 90 PSI.

The CALAIR 60037BD Air Compressor has a Pump System that is designed to have a life cycle before maintenance/service of 5,000 to 10,000 hours of usage.

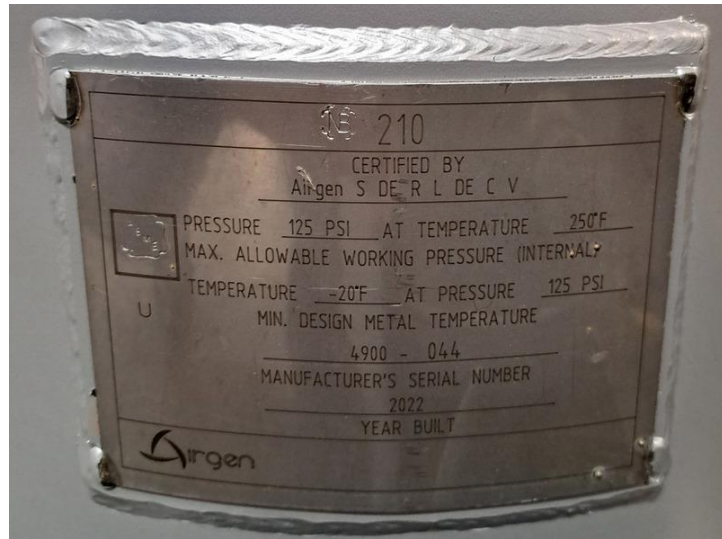
The large 60 gallon ASME Certified steel air tank is just the right size for a shop, warehouse or factory.

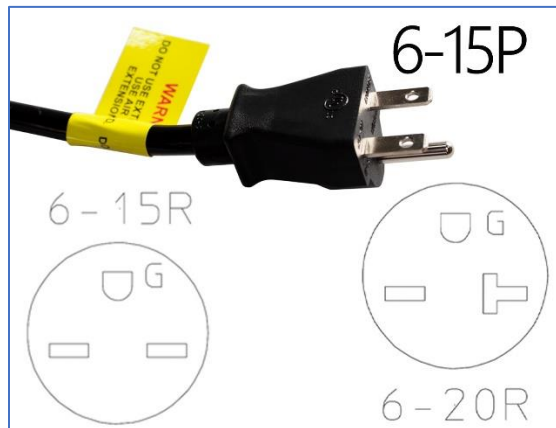
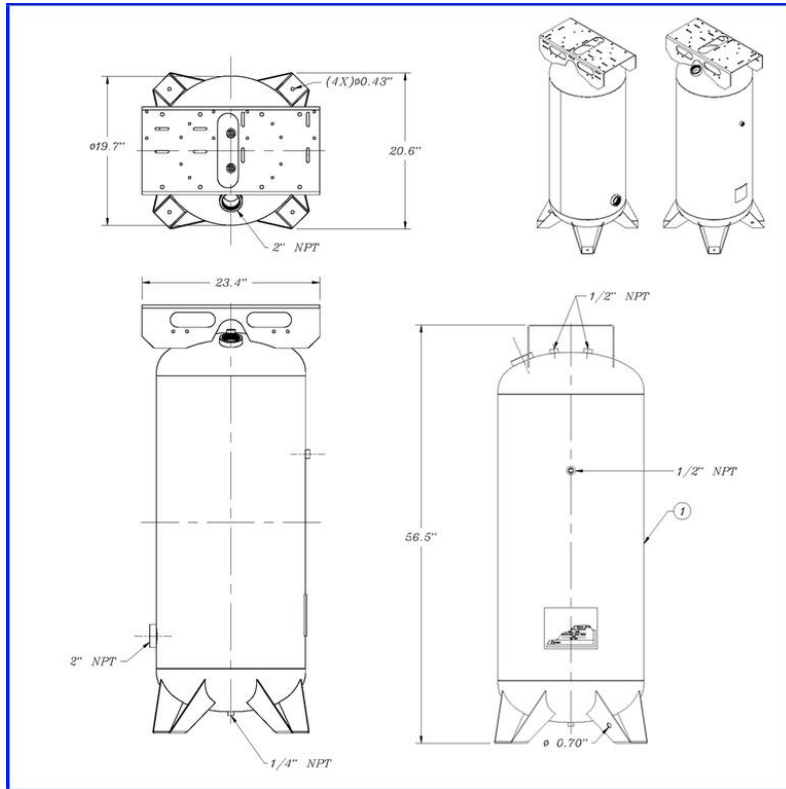
Ideal for Air Brushing, Bolting, Brad Nailing, Cutting, Drilling, Grinding, Finish Nailing, Framing Nailing, HVLP Painting, Hobby Nailing, Hobby Painting, Inflation, Roof Nailing, Spraying, Stapling, Trim & Impacting/Wrenching.

Designed for people looking for reliable air flow in commercial and semi-rugged environments.

ASME CERTIFIED TANK

The large 60 Gallon ASME Steel Air Tank is just the right size to support a large facility including commercial business, manufacturing operations, autobody shops and other general pneumatics that require air volumes of up to 20 cfm.





FEATURES

- * 3.7 Hp Motor w/Reset Switch
- * Belt-Driven Pump (Oil Type ISO 68 / LDAB68). 5000-to-10000-hour life.
Single Stage Pump (2 cylinders)
- * Pressure Gauge
- * 1/2" NPT Output Valve Port
NOTE: 1/2" Output Ball Valve & 125 PSI Pressure Regulator NOT included
Air Output Ball Valve, 1/2" NPT, available separately ([click here](#))
5-125 PSI Pressure Regulator available separately ([click here](#))
- * Power On/Pressure Switch
- * Motor Thermal Overload Protector (Trips @135C)
- * Working Pressure - 125 - 155 PSI
- * 208 Volt (200v-216v) to 230 Volt (220v-240v) / 60 Hertz / Single Phase
- * 11.5 CFM @90 PSI, 13.6 CFM @40 PSI
- * Continuous Run up to 8 hours (10 hours maximum)
- * 16.7 Amp Draw
- * Power Requirements: Dedicated 20-amp outlet
- * Plug Type: NEMA 6-15P Receptacle: NEMA 6-15R or 6-20R
- * Maximum Operating (ambient) Temperatures: 36 to 108° F
- * Time to fill tank from empty to full (155 PSI) - 6 min 52 seconds
- * Recovery time from 125 PSI to 155 PSI - 1 min 37 seconds
- * 60 Gallon ASME Certified Steel Air Tank
- * Maximum Tank Pressure 180 PSI
- * Manual Ball Drain Valve
- * 200 PSI Safety Relief Valve
- * L (26") x W/D (20.5") x H (73.5")
- * 265 lbs (315 lbs on shipping pallet)
- * 90 Decibel Noise Level
- * Commercial Use: Refer to State & City Codes
- * 2 Year Limited Warranty on Pump; 1 Year Limited Warranty on all other components
- * Assembled in Mexico with global components

For more information and to watch a 60037BD product demonstration please visit California Air Tools:
<https://www.californiaairtools.com/industrial-series-of-quiet-compressors-industrial-grade/continuous-run-air-compressors/calair-60037bd/>

Manufactured in Mexico using global components.

MODEL: 60037BD

PART NUMBER: CAIR-60037BD

www.californiaairtools.com

Revision A: 08-2024