



CALIFORNIA AIR TOOLS 4710W Quiet Air Compressor



1.0 HP
(Rated/Running)

4.7 Gallon Steel Air Tank

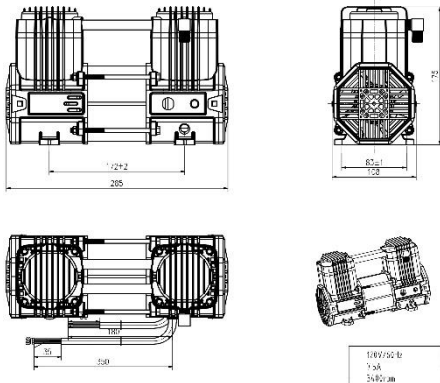
3.00 CFM @ 40 PSI
2.20 CFM @ 90 PSI

Portable and easy to use.

1 Hp Oil-Free Dual-Piston Pump



The 4710W 4.7 Gallon 1.0 Hp Quiet Air Compressor is ideal for Small Business, DIY and Homeowner customers.



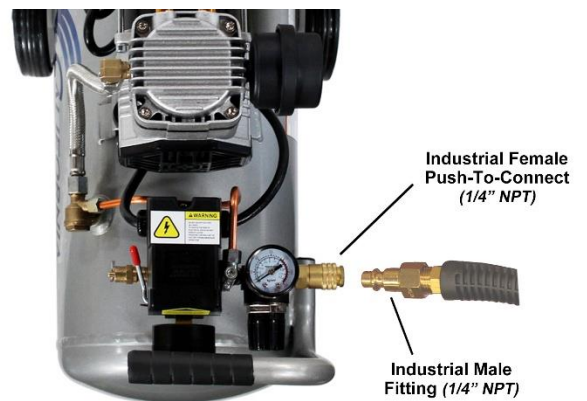
The Oil-Free Dual Piston Pump System is engineered for high performance and durability.

The 4.7 Gallon Steel Air Tank is Lightweight (35 lbs) and very easy to transport.

The CAT-4710W Air Compressor has a Oil-Free Dual Piston pump designed to have a life cycle before wear of 1000 Plus hours. The Oil-Free pump allows for use in a variety of temperatures and uneven terrains.

FEATURES

- * Oil-Free Pump – Cleaner air for better tool operation
Less maintenance and Costs.
- * Two pressure control gauges
- * One Female Industrial "Push to Connect" quick connector, 1/4" NPT
- * Thermal Overload Protector
- * Working Pressure 105-135 PSI (Kick ON 105 ± 5 PSI)
- * 135 PSI Maximum Pressure
- * 110v / 60 hz
- * Low Amp Draw - 7.5 Amps
- * Time to fill tank from empty to full - 78 Seconds
- * Recovery time from 100 PSI to 130 PSI - 51 Seconds
- * Duty Cycle - 70/30*
- * 4.7 Gallon Steel Air Tank
- * L (23") x W/D (13") x H (20")
- * 35 lbs
- * Handle and wheels for ease of portability
- * 75 dB Noise Level
- * 1 Year Limited Warranty
- * Comes complete with 2 Air Filters
- * Commercial Use: Refer to State & City Codes



For more information and to watch a 4710W product demonstration please visit California Air Tools:

<https://www.californiaairtools.com/contractor-grade-ultra-quiet-series-of-air-compressors/1-0-hp-air-compressors/cat-4710w/>

MODEL: 4710W
PART NUMBER: CAT-4710W
Revision A: 03-2025